

Camcarts®

Double Compartment

For GN Food Pans

Models UPC800, UPC800TR (Tamper Resistant)
UPC1600, UPC1600TR (Tamper Resistant)
UPC1600HD



Features & Benefits

- Large capacity Camcarts easily handle storing and transporting food for any catering job, large or small, hot or cold foods. May also be used for health care meal tray service.
- GN 1/1 Full Size Food Pan capacity per compartment:
Model UPC800, UPC800TR
2 each 8" (20 cm) deep, 3 each 6" (15 cm) deep,
4 each 4" (10 cm) deep, or 6 each 2½" (6,5 cm) deep
Also holds GN 1/2 & GN 1/3 Size Food Pans and 4 each Metric Camtrays® (#3253).
Model UPC1600, UPC1600TR, UPC1600HD
4 each 8" (20 cm) deep, 6 each 6" (15 cm) deep
8 each 4" (10 cm) deep, or 12 each 2½" (6,5 cm) deep
Also holds GN 1/2 Long Size Food Pans and 8 each Metric Camtrays® (#3253).
- Store hot and cold foods in the same compartment with the use of the optional ThermoBarrier® Insulated Shelf Divider. Keep food chilled for 8 hours or more with the optional Camchiller®. No external power or ice required.
- Maintain hot food holding temperatures at higher levels and for longer when using two Camwarmers® inside each compartment of the UPC800 models.
- Tough, one piece seamless, double-wall, polyethylene construction is easy to maintain and won't dent, crack, rust, chip or break.
- Thick polyurethane foam insulated compartments and air tight gaskets help retain food quality and temperatures without the use of external heat sources.
- Durable nylon door latches are easy to open and close securely to provide maximum temperature retention. Doors open 270° to the side for easy loading and unloading.
- Vent cap on each compartment allows steam to be released and keeps menu items from becoming soggy.
- Mid-height molded-in vertical handles on the back provide effective maneuvering during transport. Molded-in bumper minimizes damage to walls and furniture.
- Four each 6" (15,24 cm) heavy-duty casters, 2 fixed, 2 swivel, 1 w/ brake, provide for smooth transporting and maneuvering across all types of terrain.
- Both UPC1600HD as well as UPC1600TR have heavy-duty, hi-modulus 6" (15,24 cm) x 2" (5 cm) 2 fixed, 2 swivel with brake casters.
- Use with Optional Tamper Resistant Security Package for correctional facility use. Hinge pins cannot be removed.
- Non electrical.
- No assembly required.
- Available in 11 colors.

Item No. _____

Specifier Identification No. _____

Model No. _____

Quantity _____



UPC1600



Camwarmer®
(For use in UPC800)



UPC800

Approvals



Double Compartment

For GN Food Pans

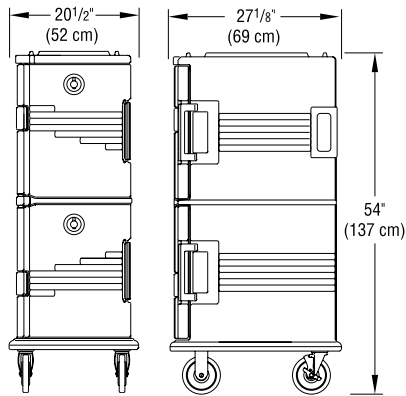
Models UPC800, UPC800TR (Tamper Resistant)
 UPC1600, UPC1600TR (Tamper Resistant)
 UPC1600HD

Item No. _____

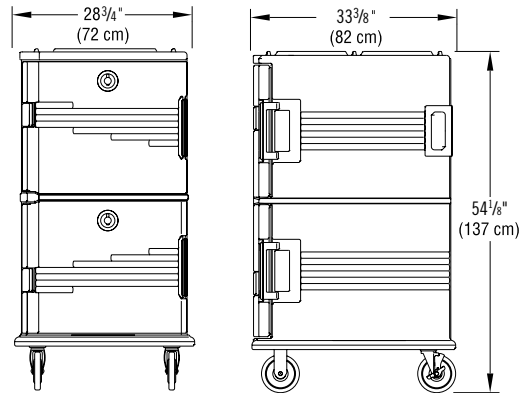
Specifier Identification No. _____

Model No. _____

Quantity _____



UPC800, UPC800TR



UPC1600, UPC1600TR, UPC1600HD

Specifications

Dimension Tolerance: +/- 1/4" (0,64 cm)

Code	Description	Capacity Per Cavity (Quarts)	Capacity Per Cavity (Liters)	Exterior Dimensions L x W x H (Inches)	Exterior Dimensions L x W x H (Centimeters)	Case lbs./cube Kg/M³
UPC800	Camcart	60 qts.	(57 L)	20½" x 27⅛" x 54"	(52 x 69 x 137 cm)	86 (19,28) 39,01 (0,546)
UPC1600	Camcart	120 qts.	(114 L)	28¾" x 33⅜" x 54½"	(72 x 82 x 137 cm)	111 (32,29) 62,2 (0,92)
UPC1600HD	Camcart	120 qts.	(114 L)	28¾" x 33⅜" x 54½"	(72 x 82 x 137 cm)	121.5 (37,27) 62,2 (0,92)
Tamper Resistant						
UPC800TR	Camcart	60 qts.	(57 L)	20½" x 27⅛" x 54"	(52 x 69 x 137 cm)	86 (19,28) 39,01 (0,546)
UPC1600TR	Camcart	120 qts.	(114 L)	28¾" x 33⅜" x 54½"	(72 x 82 x 137 cm)	111 (32,29) 55,34 (0,914)

Optional Accessories

- ThermoBarrier®**
- 400DIV for UPC800, UPC800TR Gray (180)
 - 1600DIV for UPC1600, UPC1600TR, UPC1600HD, UPC1600TRHD Slate Blue (401)
- Camchiller®**
- CP1220 Cold Blue (159)
- Camwarmer®**
- 1210PW for UPC800, UPC800TR Granite Gray (191)

Standard Colors

- Navy Blue (186)
- Slate Blue (401)
- Coffee Beige (157)
- Dark Brown (131)
- Brick Red (402)
- Green (519)
- Black (110)
- Hot Red (158)
- Granite Gray (191)
- Granite Green (192)
- Granite Sand (194)

Architect Specs

The non-electrical food service and transport cart shall be a Camcart, Model ..., manufactured by Cambro Mfg. Co., Huntington Beach, CA 92647 U.S.A. It shall be made of one-piece, seamless, double-wall, high-density, polyethylene. It shall have 2 separate insulated polyurethane foam-injected compartments. Each compartment shall accommodate a variety of GN 1/1 Full, 1/2 or 1/3 Size Food Pans, from 2½" (6,5 cm) to 8" (20 cm) deep. It shall have nylon door latches and the compartment doors shall swing open 270° to the side. It shall have a vent cap on each compartment. It shall have mid-height molded-in vertical handles located on the back of the cart. It shall have a molded-in bumper. It shall have

4 each 6" (15,24 cm) casters, 2 fixed, 2 swivel, 1 w/ brake. It shall be available with an optional tamper resistant security package for correctional facility use. UPC1600HD as well as UPC1600TR shall have 4 each heavy-duty, hi-modulus 6" (15,24 cm) x 2" (5 cm) 2 fixed, 2 swivel with brake casters. It shall require no assembly. It shall be available in 11 colors.

Approvals

